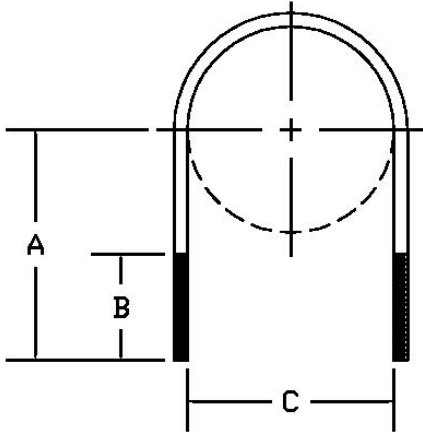




Specialty Piping Products



DIMENSION:

A _____

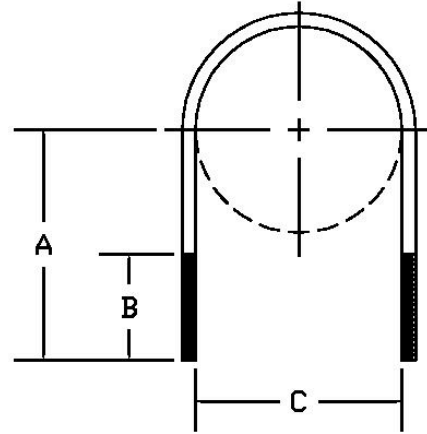
B _____

C _____

FINISH _____

QUANTITY _____

ROD SIZE _____



DIMENSION:

A _____

B _____

C _____

FINISH _____

QUANTITY _____

ROD SIZE _____