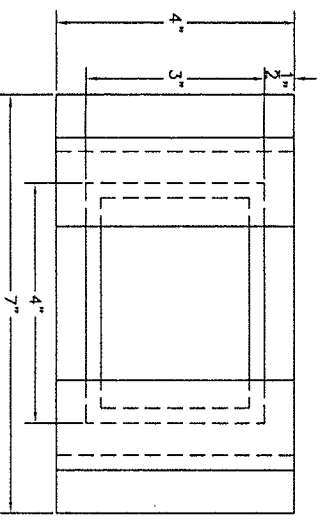
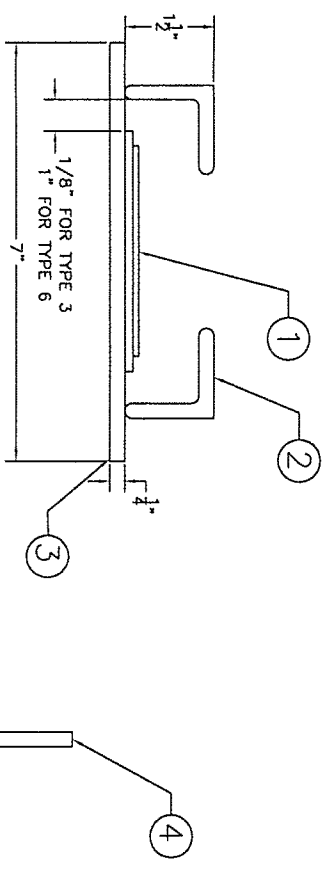
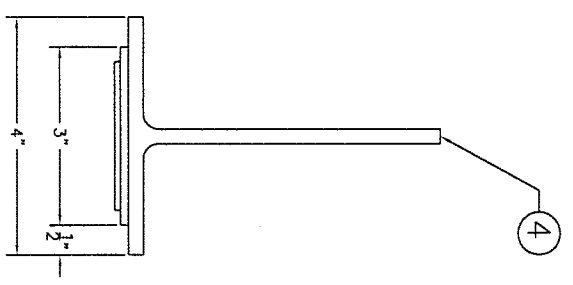


ELEVATION VIEW

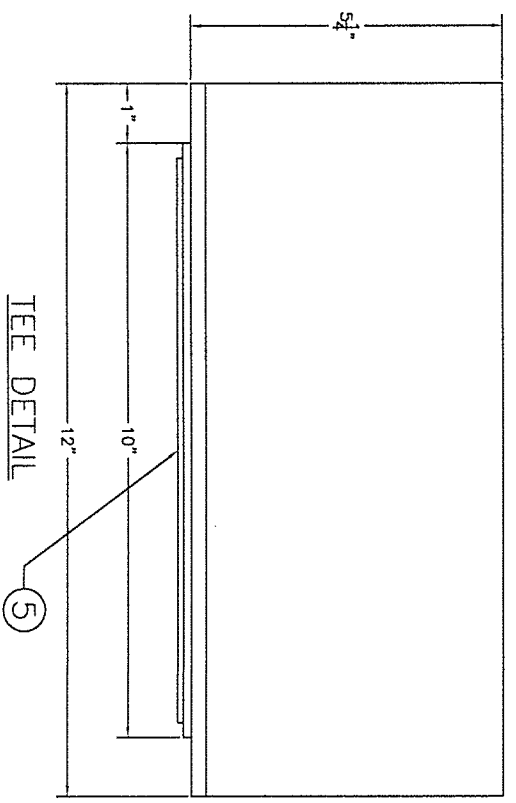


GUIDE DETAIL



ITEM	QUAN	DESCRIPTION	FINISH
1	1	3"X4" SLIDE PLATE	SEE NOTE
2	2	L1-1/2" X 1-1/2" X 1/4" X 4" LONG	ASTM A36
3	1	1/4"X4"X7" PLATE	A153 GALV ASTM A36 A153 GALV
4	1	SPLIT TEE FROM W8 X 13 BEAM	ASTM A36 A153 GALV
5	1	3"X10" SLIDE PLATE	SEE NOTE

NOTES:
 1. SLIDE PLATES WILL BE 3/32" TEFLON BONDED TO GALV. 10GA BACKING PLATE.



TEE DETAIL

TYPE 3 AND TYPE 6 ASSEMBLY