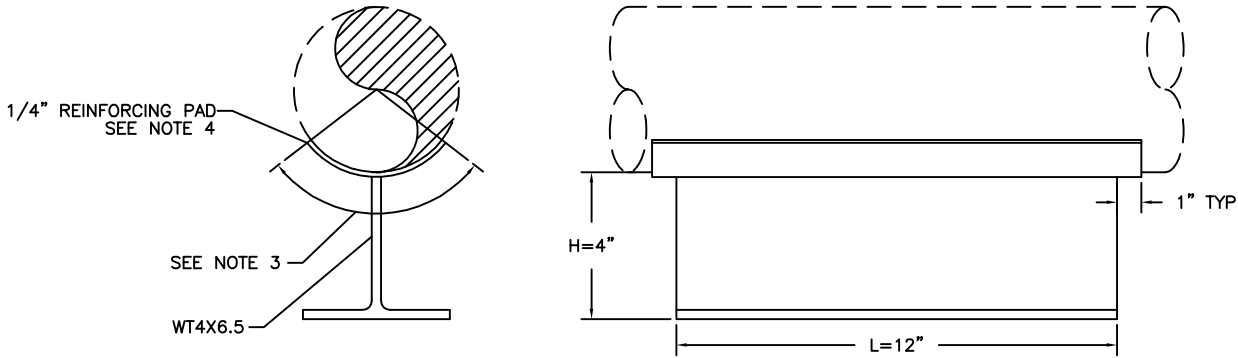


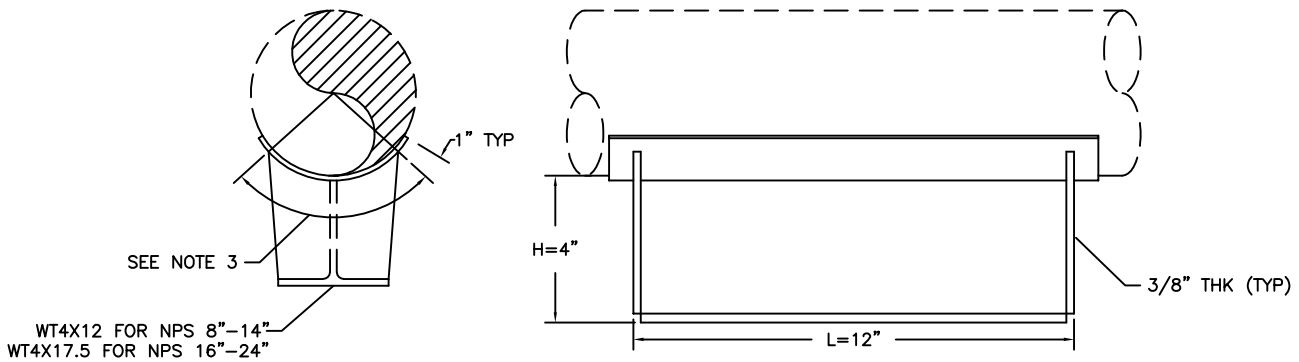


Specialty Piping Products

STANDARD TEE BAR WELD-ON PIPE SHOE FOR STAINLESS STEEL PIPE



FOR SIZES NPS 1/2" - 6"



FOR SIZES NPS 8" - 24"

OPTIONS:

FINISH: PLAIN, PAINTED, HOT DIP GALVANIZED

GUIDES, TEFLON SLIDE PLATES, INSULATION SLOTS

NOTES:

1. ALL SIZES ARE IN INCHES.
2. DIMENSIONS "L" AND "H" MAY VARY FROM THOSE SHOWN ABOVE. SPECIFY IF DIFFERENT FROM TYPICAL.
3. ENDPLATES OPTIONAL FOR SIZES NPS 1/2"-6". TYPICAL FOR 8" AND ABOVE.
3. USE 90° FOR NPS 1/2"-6", 60° FOR NPS 8"-14", AND 45° FOR NPS 16"-24".
4. REINFORCING PAD SHALL MATCH PIPE MATERIAL. (304 OR 316)