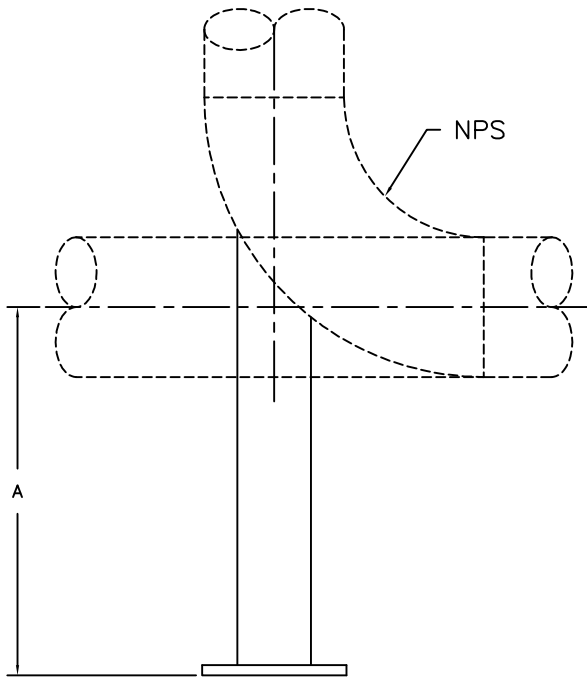


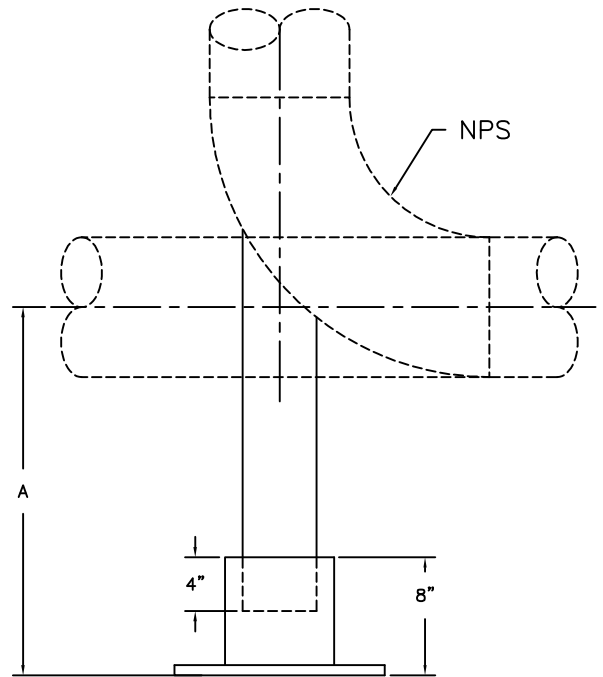


Specialty Piping Products

BASE ELL AND PIPE SUPPORT



TYPE 1



TYPE 2

OPTIONS:

- GALVANIZED, PAINTED OR PLAIN FINISH
- REINFORCING PAD
- TEFLON SLIDE PLATES, GUIDE LUGS
- BOLT HOLES FOR MOUNTING

NOTES:

1. AVAILABLE IN CARBON STEEL, 304SS, & 316SS.
2. SPECIFY DIMENSION A, THE PIPE SIZE, AND IF FOR AN ELL, THE ORIENTATION OF THE SUPPORT IN REFERENCE TO THE ELBOW'S CENTERLINE.
3. SPECIFY ANY AND ALL OPTIONS. (SEE LIST)